

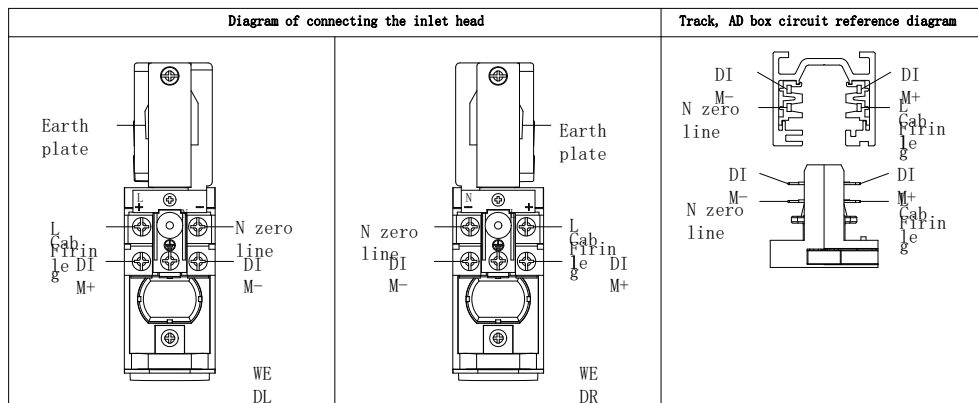
Installation Precautions:

1. Please read the instructions carefully before installation;
2. The luminaire is used in the three-phase track system or on other tracks compatible with the luminaire, and the guide rail parameters are Input voltage: AC 220-240V; Maximum current: 16A;
3. The lamp has 0-10V dimming function, do not connect the track dimming light to the mains to prevent the track system fire;
4. Installed by qualified electricians;
5. Only suitable for indoor installation (not for humid environment);
6. Lamps need to be tested in advance for matching with dimming systems;
7. Keep the manual for reference.

Note: In order to prevent electric shock and avoid damage to the lamp, please turn off the power before installation, maintenance and replacement of accessories, do not allow the installation of live.

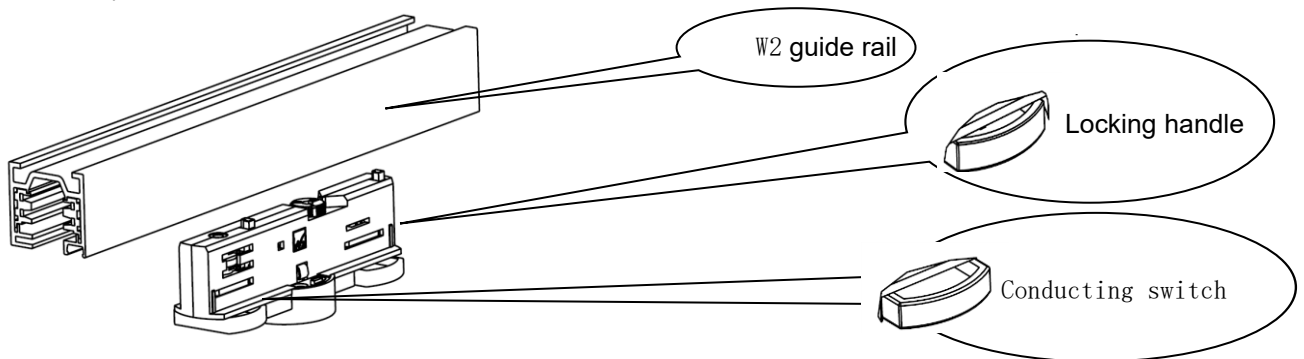
One. Track charging diagram:

The lamp has 0-10V dimming function, please ensure that the track inlet head wiring is consistent with the figure below;

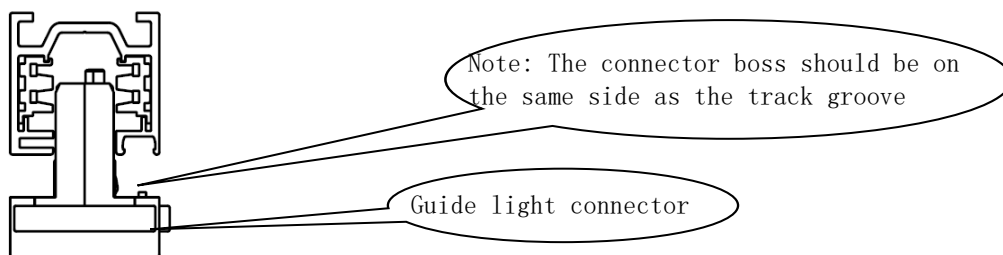


Two. Assemble the rail light connector

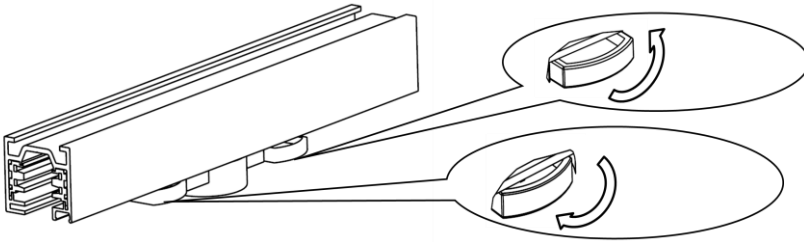
1. Ensure that the "lock handle" and "conductive switch" are at a 90 degree Angle to the connector before assembly. .



2. Align the boss of the guide light connector with the groove of the guide rail before assembly.



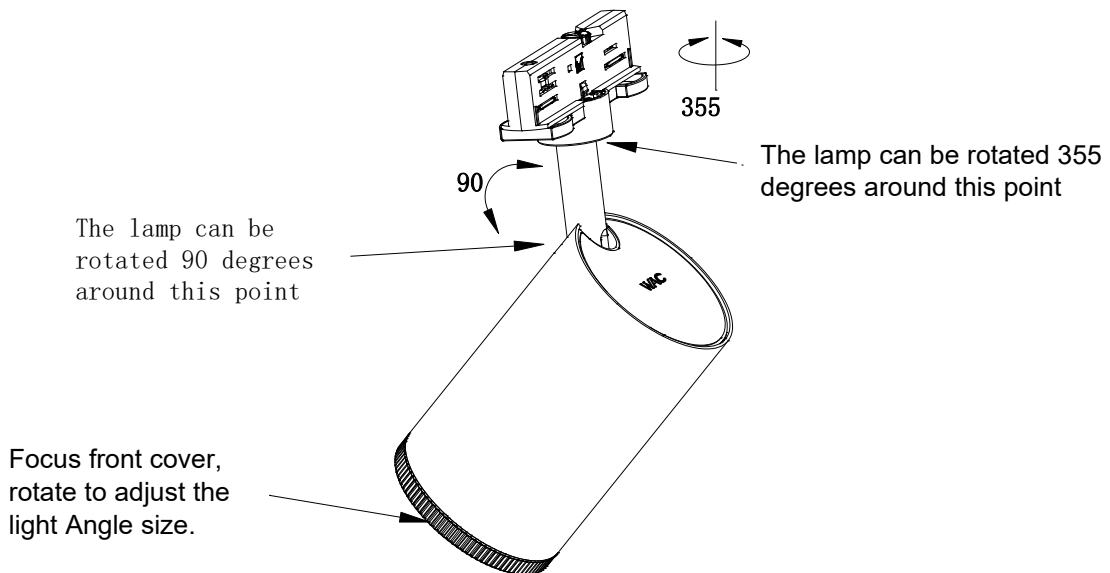
3. After the assembly is completed, turn the "conductive switch" clockwise and the "locking handle" counterclockwise by 90 degrees for conducting and locking. ◦



Note: Removing the guide light connector is the opposite procedure to installing the guide light connector.

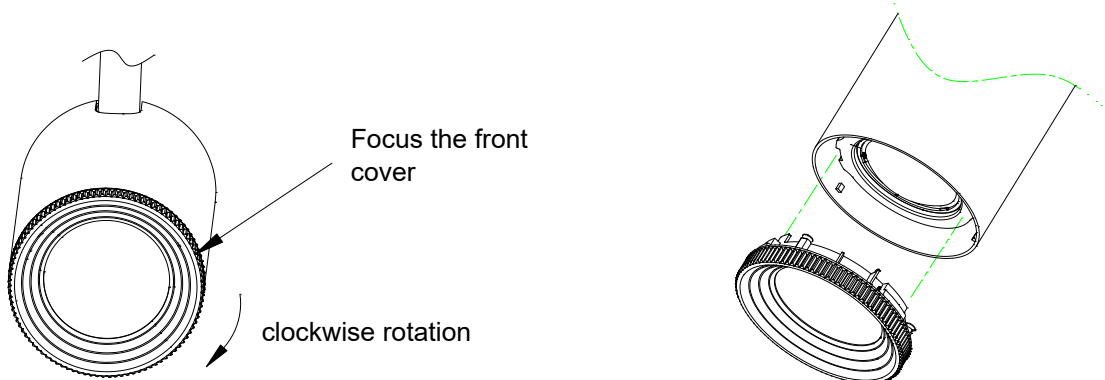
Three. Luminaire regulation:

1. The lamp can rotate 355 degrees horizontally and 90 degrees vertically, as shown in the figure below;
2. The lamp has 0-10V dimming function;
3. Rotate the focus cover to adjust the light Angle.



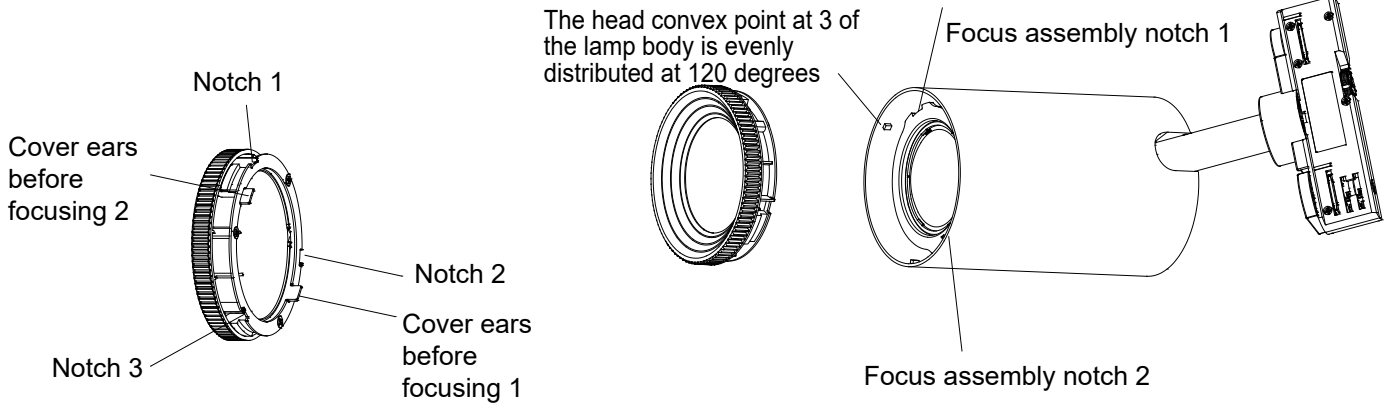
Four. Installation of accessories (accessories purchased separately)

1. Turn the front cover clockwise, when you hear a "click" prompt, stop turning and remove the front cover from the lamp (as shown below).



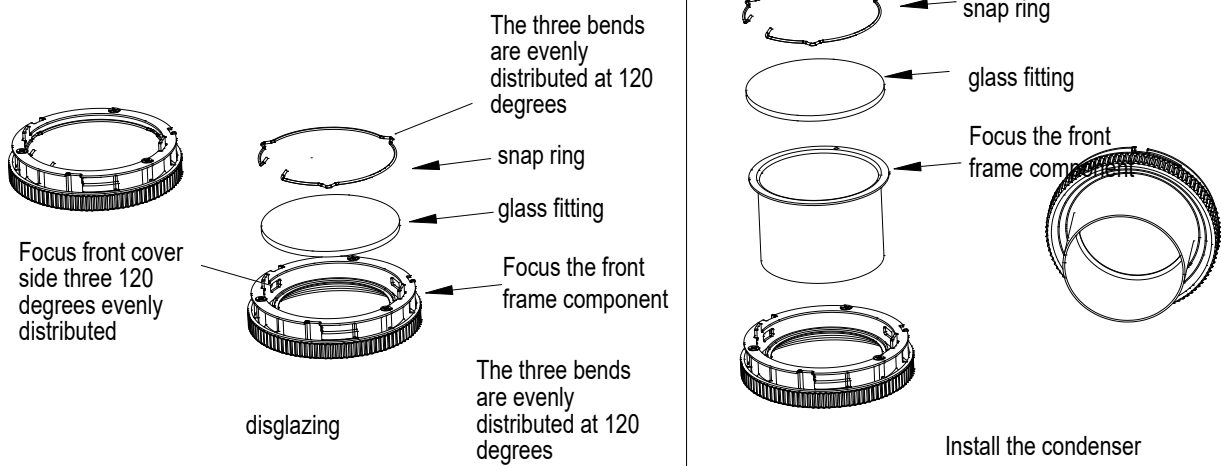
2. After replacing the glass or other accessories, insert the two ears of the focusing front cover into the gap of the focusing assembly in the lamp body (note: the 3 convex points on the lamp body should be fitted with the 3 gaps on the focusing front cover), and rotate counterclockwise to the required spot size to complete the installation of the accessories.

Note: After the adjusting front cover is installed, turn it counterclockwise and hear a "click" prompt, indicating that the front cover is installed in place. You can not simply put the adjusting front cover plug on, which will have the risk of falling.



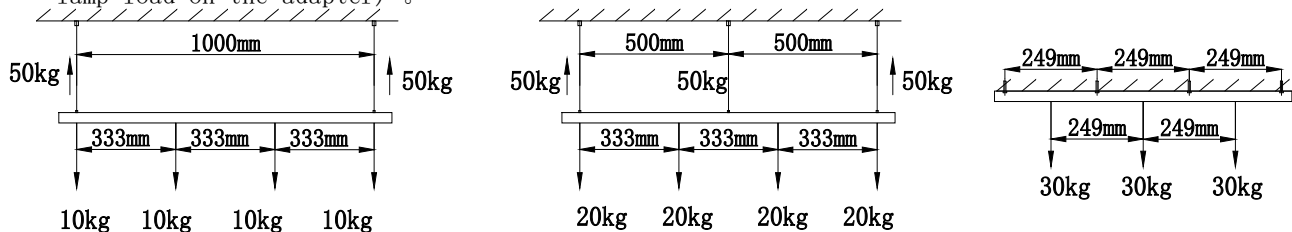
3. As shown in the following picture, take out the circlip first, put other glass or accessories of the same size into the adjusting front frame assembly, and clamp the three bends of the circlip into the three gaps on the side of the adjusting front cover to complete the glass removal step.

4. Install the condenser: first take out the circlip, take out the glass and other accessories, put them into the condenser, then put the glass, install the circlip, you can complete the installation of the condenser.



Five. Maximum lifting weight:

1. The maximum weight that the track system can bear is shown in the figure below, which includes the weight of the entire suspension system.
2. A single adapter can bear a maximum load of 10kg (according to the normal installation position of the lamp load on the adapter) .

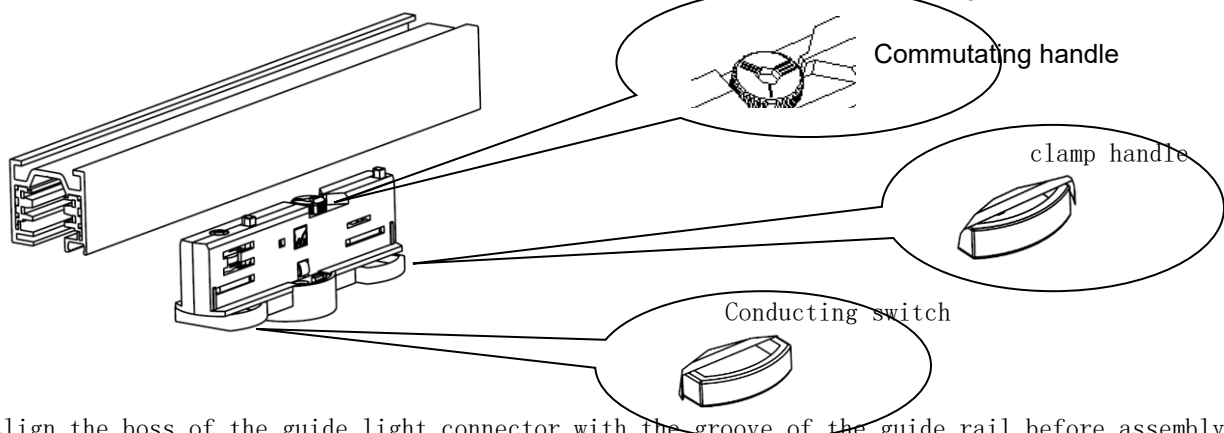


Installation declaration:

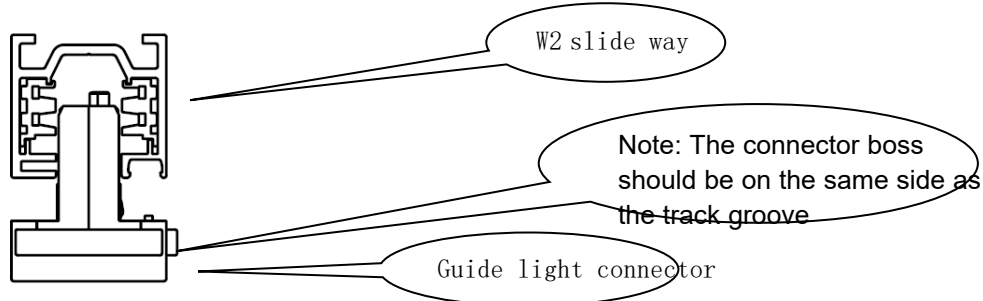
1. Please read the instructions carefully before installation;
2. This lamp is used in the W2 three-phase track system or on the compatible track of other company brands, with guide rail parameters: Input voltage: AC 220 ~ 240V Maximum current: 16A maximum load: 3680W;
3. Installation by qualified electricians;
4. In order to avoid the risk of electric shock, please confirm to turn off the power supply before installation, maintenance and lighting;
5. Only suitable for indoor installation (not for humid environment);
6. The light source of this lamp is not replaceable, once it needs to be replaced (such as the end of the life of the light source), the entire lamp should be replaced;
7. Keep the manual for reference.

One. Assemble the rail light connector

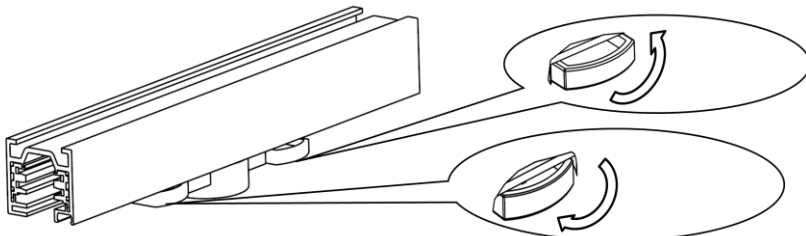
1. Before assembly, ensure that the "locking handle" and "conductive switch" are at a 90 degree Angle with the connector, and the commutation handle is in the "1", "2", "3" gear 态.



2. Align the boss of the guide light connector with the groove of the guide rail before assembly.

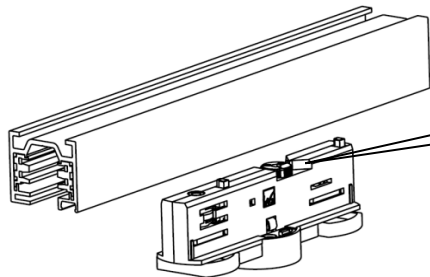


3. After the assembly is completed, turn the "conductive switch" clockwise and the "locking handle" counterclockwise by 90 degrees for conducting and locking.



Note: Removing the guide light connector is the opposite procedure to installing the guide light connector.

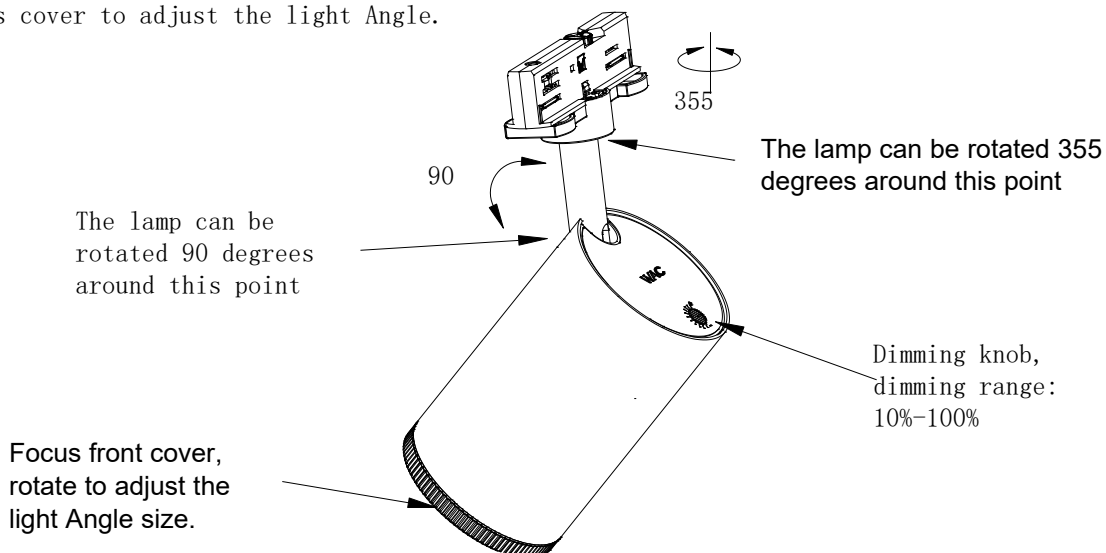
Two. Commutation regulation:



- I Indicates that the guide rail connector is connected to phase 1 of the guide rail
- II Indicates that the guide rail connector is connected to the phase 2 position of the guide rail
- III Indicates that the guide rail connector is connected to the phase 3 position of the guide rail

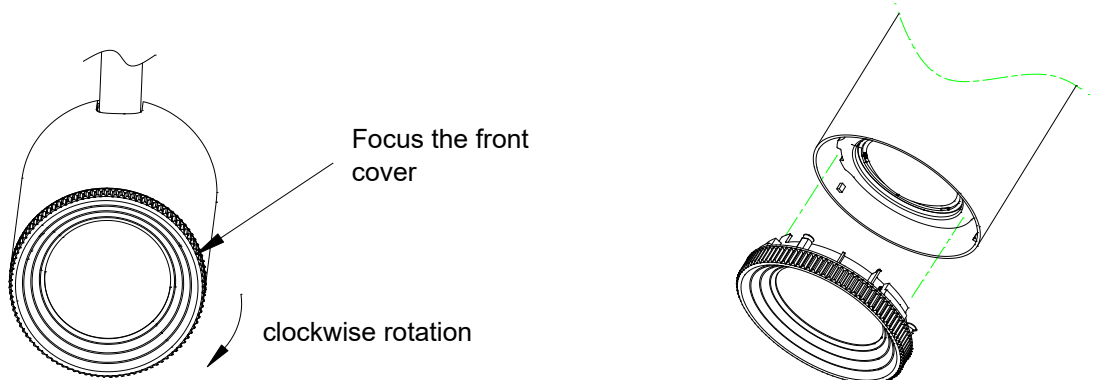
Three. Lamp adjustment::

1. The lamp can rotate 355 degrees horizontally and 90 degrees vertically, as shown in the figure below.
2. Rotate the dimming knob of the back cover to adjust the brightness of the lamp, and the dimming range is: 10%-100%;
3. Rotate the focus cover to adjust the light Angle.



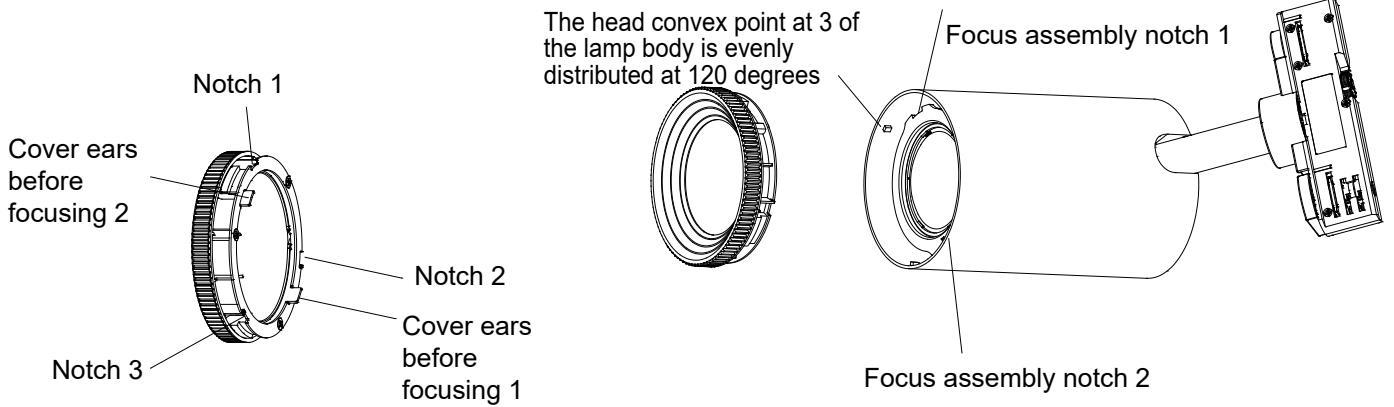
Four. Installation of accessories (accessories purchased separately)

1. Turn the front cover clockwise, when you hear a "click" prompt, stop turning and remove the front cover from the lamp (as shown below).



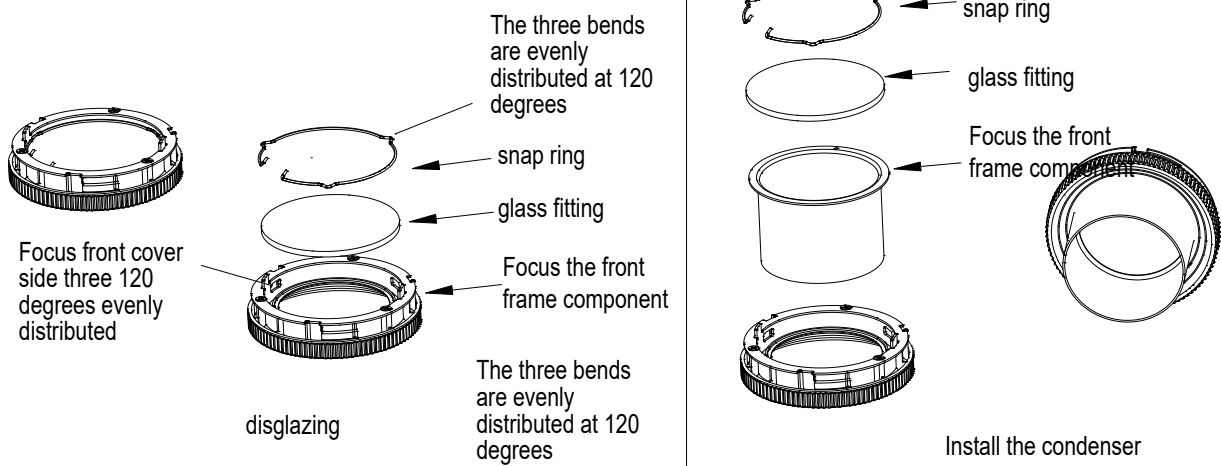
2. After replacing the glass or other accessories, insert the two ears of the focusing front cover into the gap of the focusing assembly in the lamp body (note: the 3 convex points on the lamp body should be fitted with the 3 gaps on the focusing front cover), and rotate counterclockwise to the required spot size to complete the installation of the accessories.

Note: After the adjusting front cover is installed, turn it counterclockwise and hear a "click" prompt, indicating that the front cover is installed in place. You can not simply put the adjusting front cover plug on, which will have the risk of falling.



3. As shown in the following picture, take out the circlip first, put other glass or accessories of the same size into the adjusting front frame assembly, and clamp the three bends of the circlip into the three gaps on the side of the adjusting front cover to complete the glass removal step.

4. Install the condenser: first take out the circlip, take out the glass and other accessories, put them into the condenser, then put the glass, install the circlip, you can complete the installation of the condenser.



Five.Maximum lifting weight:

1. The maximum weight that the track system can bear is shown in the figure below, which includes the weight of the entire suspension system.
2. A single adapter can bear a maximum load of 10kg (according to the normal installation position of the lamp load on the adapter) .

